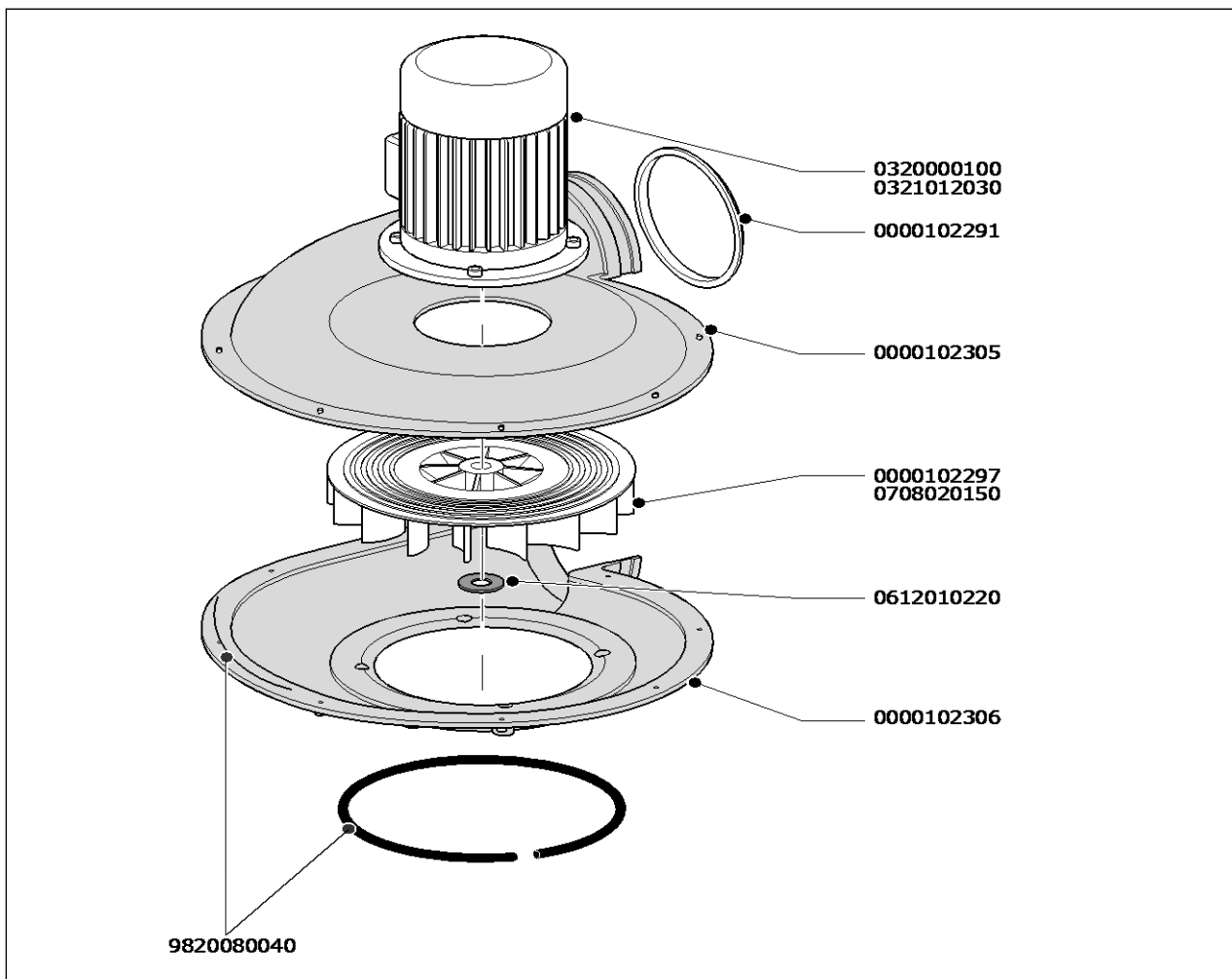


Exploded view  
**FAN-28**



Spare parts  
**FAN-28**

Art. no.	Description	0
0000102291	Sealing ring	-
0000102297	Aluminium fan wheel 50Hz	-
0000102305	Housing FAN-14/28/MNF/mobile units, motor side	-
0000102306	Housing FAN-14/28/MNF, suction side	-
0612010220	Adjusting ring 19x1	-
0708020150	Aluminium fan wheel 60Hz	-
9820080040	Sealing set FAN 14/28/MNF	-
<b>• FAN-28 (400V/3ph/50Hz)</b>		
0320000100	Motor 0,75 kW, 230-400V/3ph/50-60Hz	-
<b>• FAN-28 (230V/3ph/50Hz)</b>		
0320000100	Motor 0,75 kW, 230-400V/3ph/50-60Hz	-
<b>• FAN-28 (230V/1ph/50Hz)</b>		
0321012030	Motor 0,75kW, 115-230V/1ph/50-60Hz	-
<b>• FAN-28 (115V/1ph/50Hz)</b>		
0321012030	Motor 0,75kW, 115-230V/1ph/50-60Hz	-