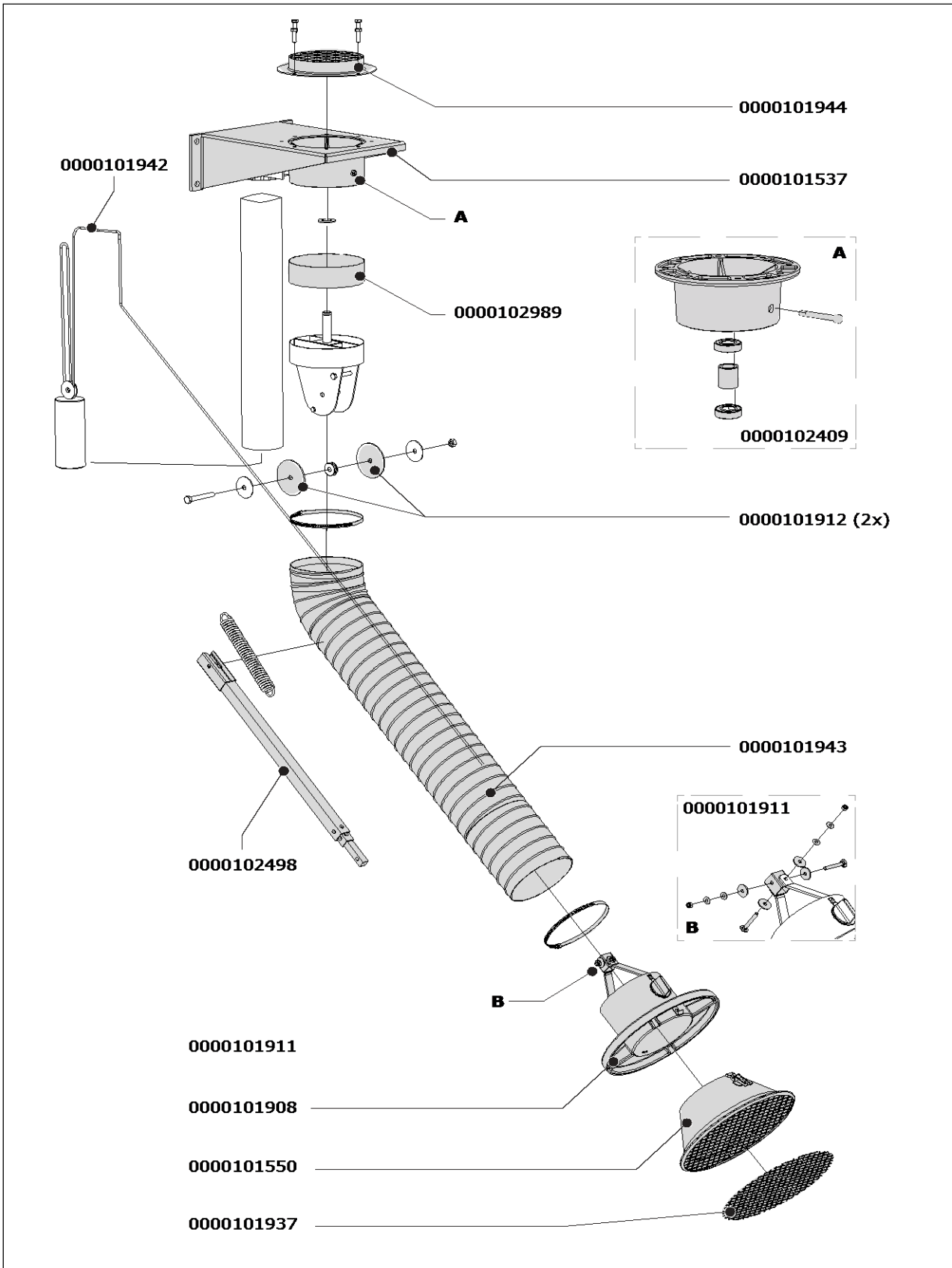


Exploded view
Junior LM-2



Spare parts Junior LM-2

Art. no.	Description	0
0000101537	Wall mounting bracket, complete	-
0000101550	Hood with safety mesh	-
0000101908	Hood collar, incl. handle, damper and hood hinge	-
0000101911	Hood hinge, incl. mounting material	-
0000101912	Friction plate 83x10x3 mm (set of 2)	-
0000101937	Safety mesh Ø 300 mm	-
0000101942	Counterweight cord LM-2	-
0000101943	Hose L=2150 mm/Ø 161 mm, incl. 2 hose clamps	-
0000101944	Connection flange with grid	-
0000102409	Rotating flange (ball bearing)	-
0000102498	Telescopic tube Junior LM-2 / T-Flex/CW	-
0000102989	Rubber collar Ø 160 mm	-